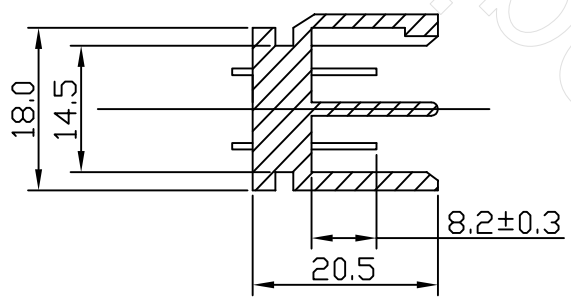
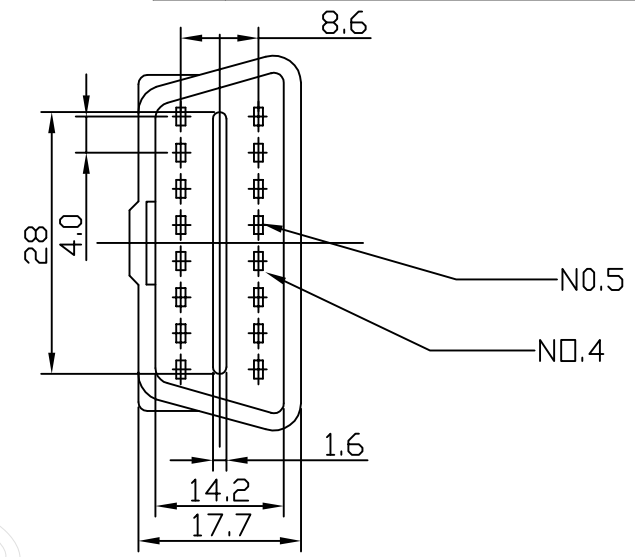
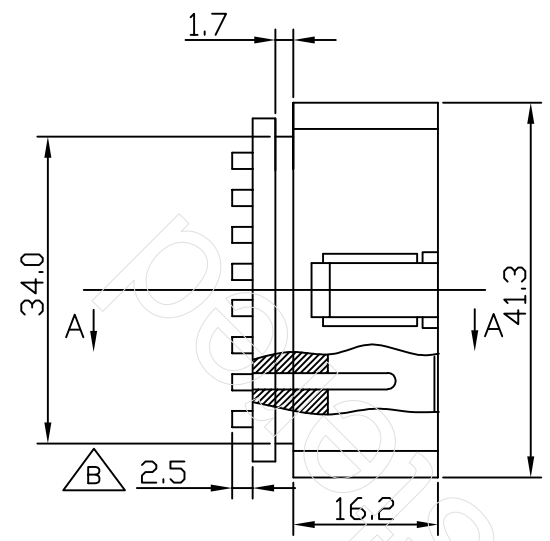
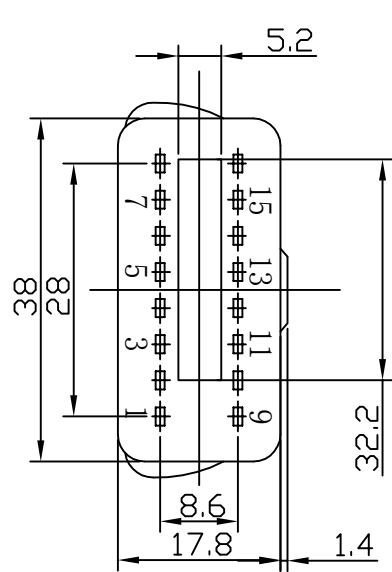


REVISION			
NO.	DESCRIPTION	DATE	REV.
1	CHANGE PIN LENGTH	081208	B



A-A Section

Electrical Performance

1. Dielectric Strength: 1000V AC/1 Minute.
2. Contact resistance: 100 m Ohm MAX.
3. Insulation Resistance: 500VDC, 100M Ohm Min.

Rating and Application Wire:

1. Rated Voltage: 30V MAX
2. Rated Current: 5Amps, Wire Insulation O.D: $\phi 1.2 \sim \phi 2.6$
2. Ambient Temperature Range: $-40^{\circ}\text{C} \sim +85^{\circ}\text{C}$

Notes:

1. Housing Material: PBT+30%G.F, Color: Black
2. The Pin 4 & PIN 5 Are 9.5mm High Out of The Plastic, All of the rest pins are 8.2mm. The pin $0.8 \times 1.8 \times 20.8\text{mm}$
3. Terminal Material: Brass, Finish: Nickel Plated
4. General Tolerance: $\pm 0.3\text{mm}$

		UNIT: mm		TITLE:	
		DRAWN BY		DATE	
CHECKED BY		DATE		CUSTOMER	
APPROVED BY		DATE		PART NO.	
SALE BY		DATE		SAMPLE NO.	
				REV. B	
				FILE NO:	